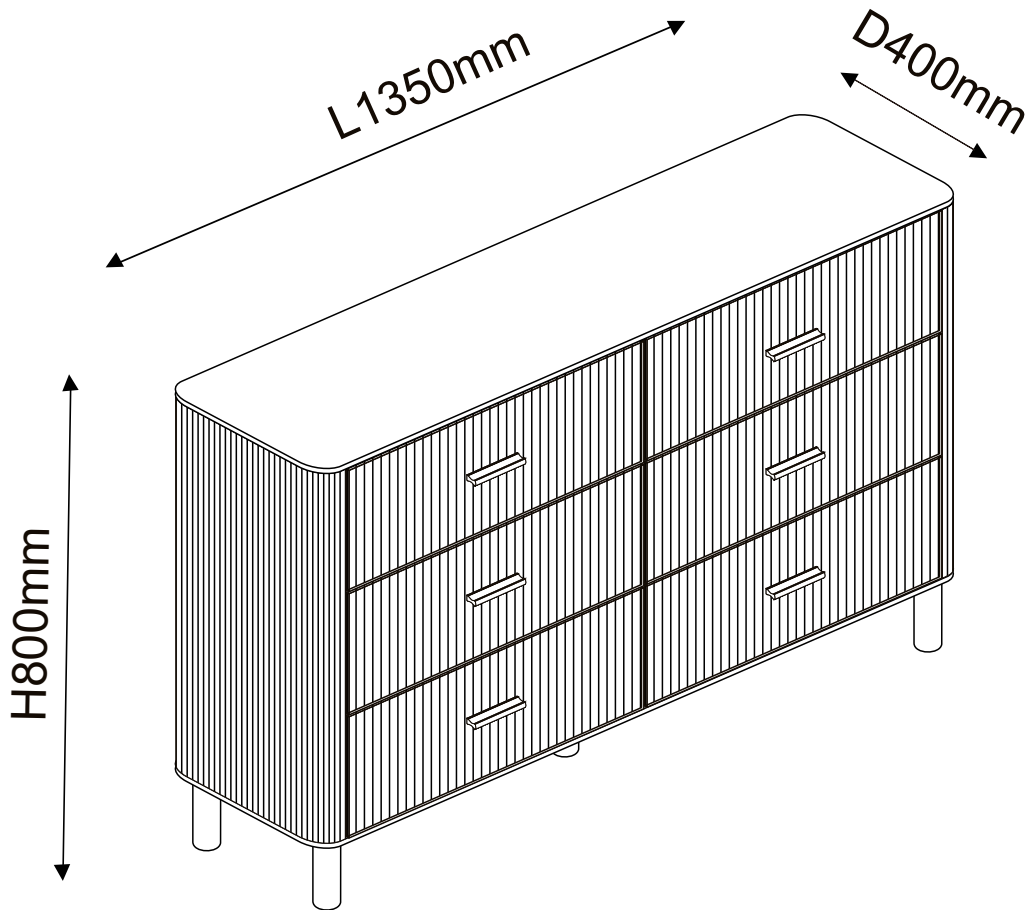


ASSEMBLY INSTRUCTION

MAHONEY 6 DRAWER DRESSER

Item Code 85411






Imported by JWA Furniture Pty Ltd, Qld, Brisbane Australia.
For any assistance with assembly or for missing parts please refer to your receipt

PRE-ASSEMBLY PREPARATION

Before you start:





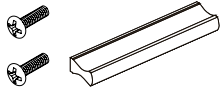
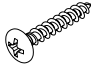



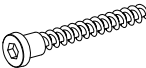

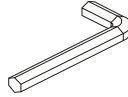


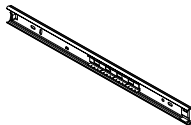
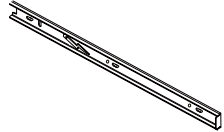

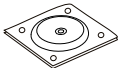


1. Choose a clean, level, spacious assembly area. Avoid hard surfaces that may damage the product
2. Take care when lifting. Product should be assembled as near as possible to the point of use
3. Ensure that you have all required contents for complete assembly
4. Always read the assembly instructions carefully before beginning assembly
5. Keep all hardware parts and packaging out of reach of small children
6. Do not over tighten the screws and bolts as this may damage the threads
7. Assembly is to be carried out by a competent adult(s) ONLY
8. During assembly, children should be kept away from the product due to possible risk to injury
9. Do not use this item if any components are missing or damaged
10. Please keep the instructions for future reference.

		
Allow 30 min	For 1 person	Additional tools required

⚠ **WARNING**

		<p>Children have died from furniture tipover.</p> <ul style="list-style-type: none"> ALWAYS secure it with an anchor device. NEVER allow children to stand, climb or hang on drawers, doors, or shelves. NEVER open more than one drawer at a time. Place heavy items down low <p style="text-align: center;">NEVER put a TV on this furniture </p> <p style="text-align: center; color: red; font-size: 0.8em;">This is a permanent label. Do not remove!</p>
---	---	--

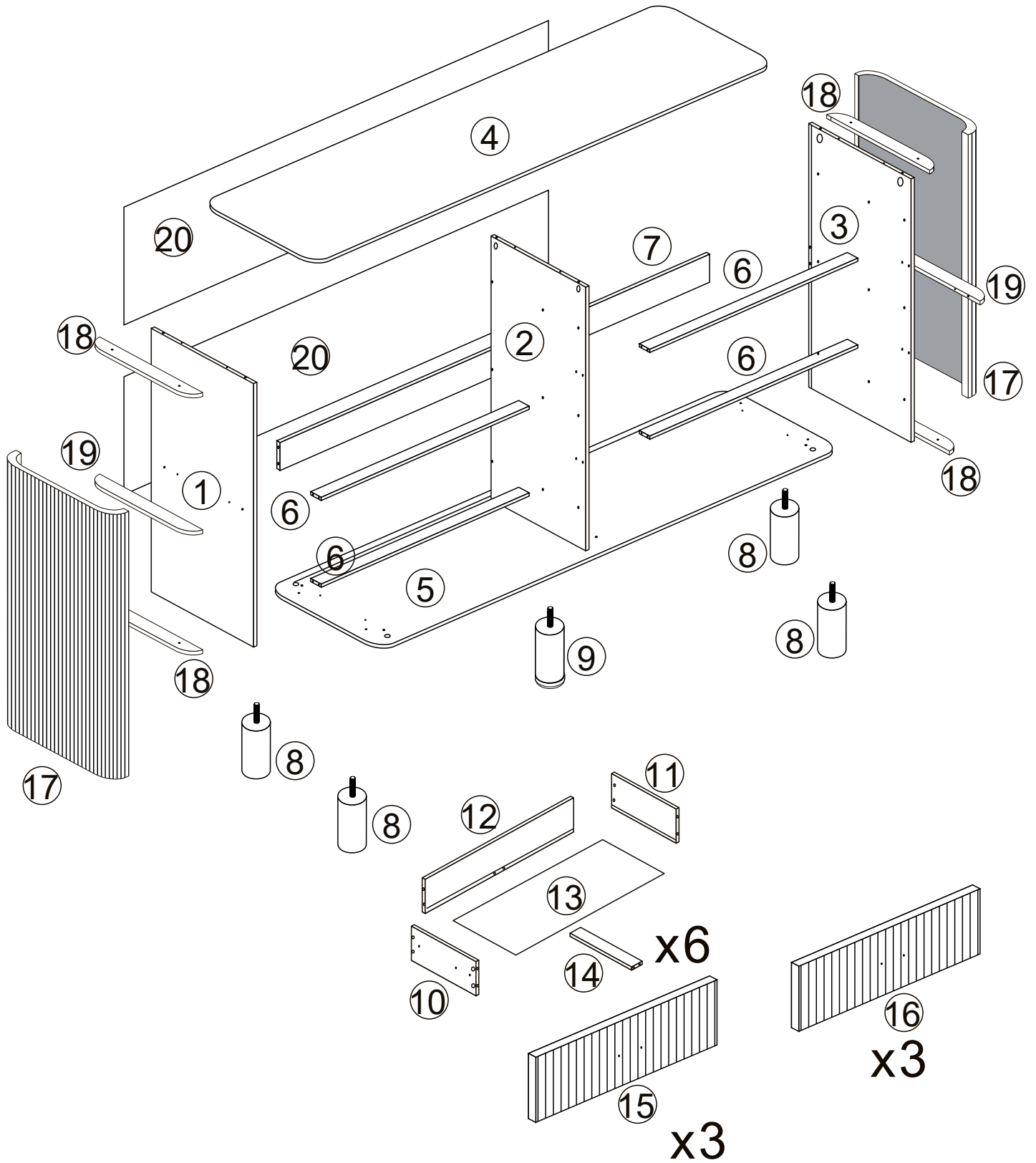
PARTS LIST

<p>A Cam Bolt x 48pcs</p> 	<p>B Cam Lock x 48pcs</p> 	<p>C Wooden Dowel M6x30mm x 26pcs</p> 	<p>D Screw M4x35mm x 42pcs</p> 
<p>E Handle Set x 6pcs</p> 	<p>F Screw M4x25mm x 8pcs</p> 	<p>G Screw M3x12mm x 72pcs</p> 	<p>H Foot Pad x 4pcs</p> 
<p>I Plastic Wedge Set x 12pcs</p> 	<p>J Screw x 7pcs</p> 	<p>K Sticker x24pcs</p> 	<p>L Allen Key x 1pc</p> 
<p>M Washer x 4pcs</p> 	<p>N Safe Strap x 2pcs</p> 	<p>O Rail x 12pcs</p> 	<p>P Rail x 12pcs</p> 
<p>Q Screw M4x14mm x 6pcs</p> 	<p>R Metal Sheet x 1pc</p> 	<p>S Wall Anchor M6x30mm x 2pcs</p> 	<p>T Wooden Dowel M6x50mm x 2pcs</p> 

PARTS LIST

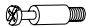



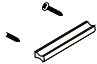

1	Side Panel(Left) x 1 pc	2	Side Panel (Middle) x 1 pc
3	Side Panel(Right) x 1 pc	4	Top Panel x 1 pc
5	Bottom Panel x 1 pc	6	Connect Panel x 4pcs
7	Back Rail x 1 pc	8	Wooden Leg x 4 pcs
9	Middle Wooden Leg x 1 pc	10	Drawer Side Panel(Left) x 6 pcs
11	Drawer Side Panel(Right) x 6 pcs	12	Drawer Back Panel x 6 pcs
13	Drawer Bottom Panel x 6 pcs	14	Drawer Support Rail x 6 pcs
15	Drawer Front Panel(Left) x 3 pcs	16	Drawer Front Panel(Right) x 3 pcs
17	Side Frame Panel x 2 pcs	18	Connect Panel x 4 pcs
19	Connect Panel x 2 pcs	20	Back Panel x 2 pcs

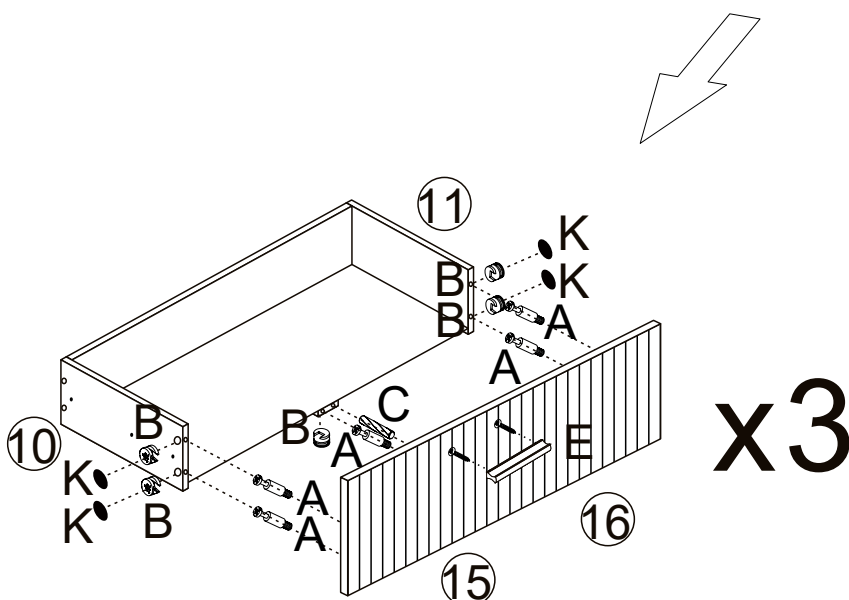
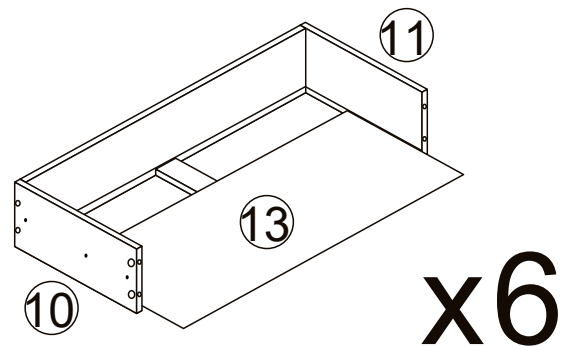
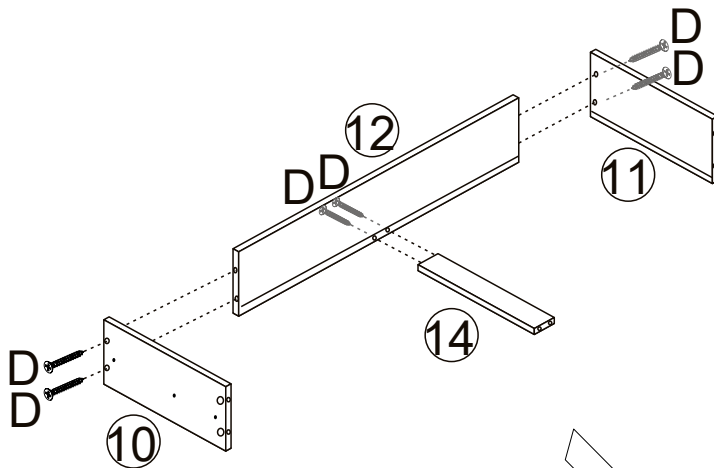
PARTS LIST



STEP 1:

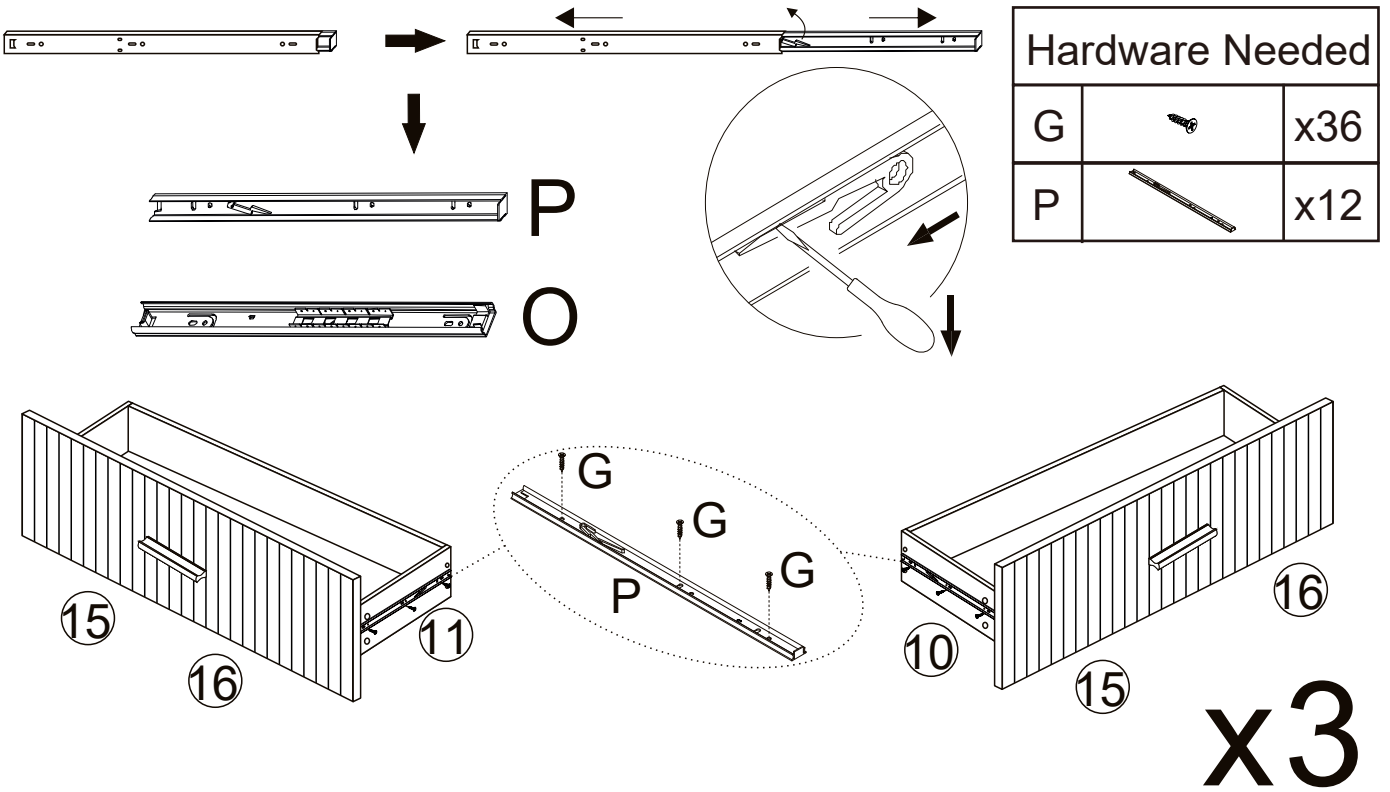
- Prepare a protected surface with a blanket or cardboard.
- Attach drawer back panel 12 to drawer side panel 10,11,drawer support rail 14 using hardware D.
- Insert the bottom panel 13 before assembly the drawer front panel 15,16.
- Attach the drawer front panel 15,16 by hardware A,B,C,K.
And then,assemble the handle E.

Hardware Needed		
A		x30
B		x30
C		x6
D		x36
E		x6
K		x24



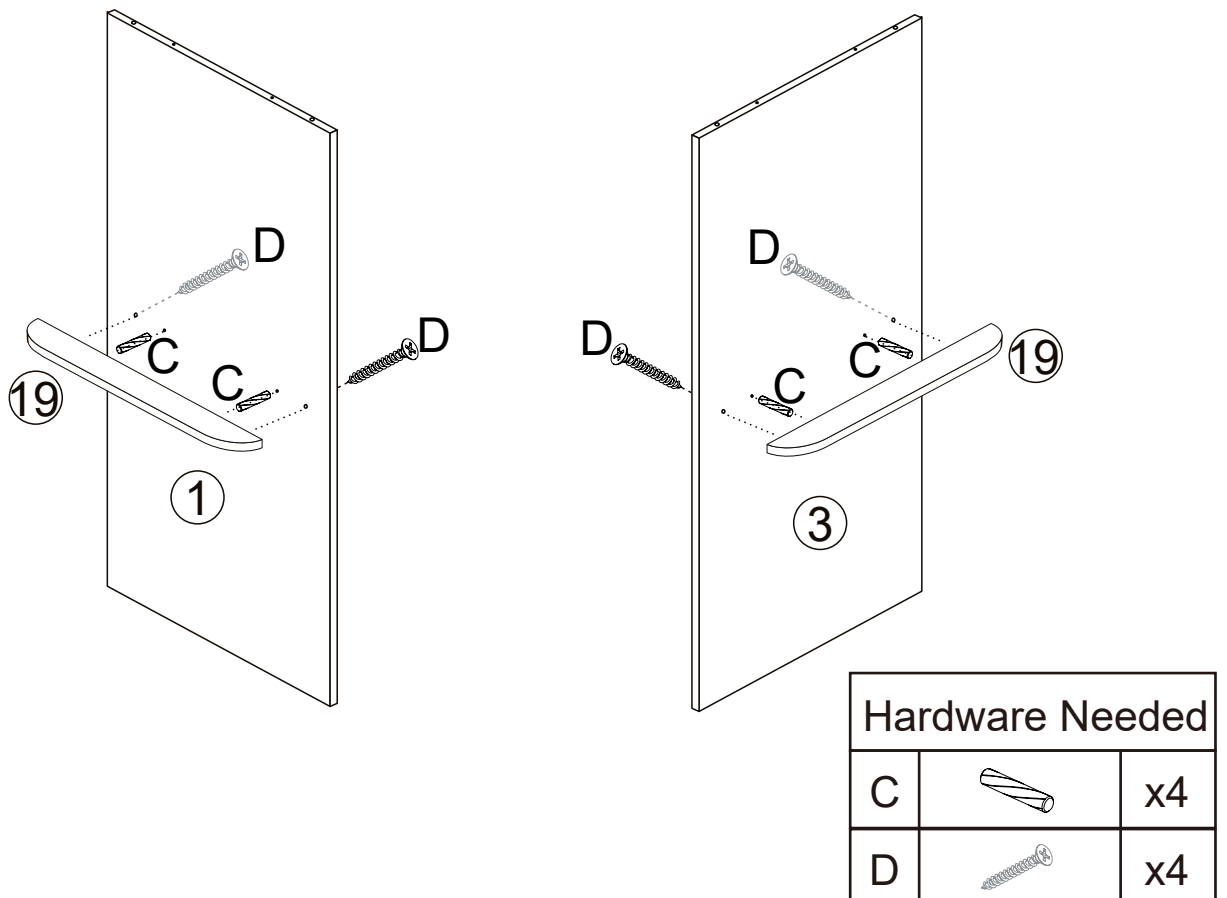
STEP 2:

- Open the expansion track as shown in the diagram below.
- Then, attach the runner P on left&right side panel 10,11 by hardware G.



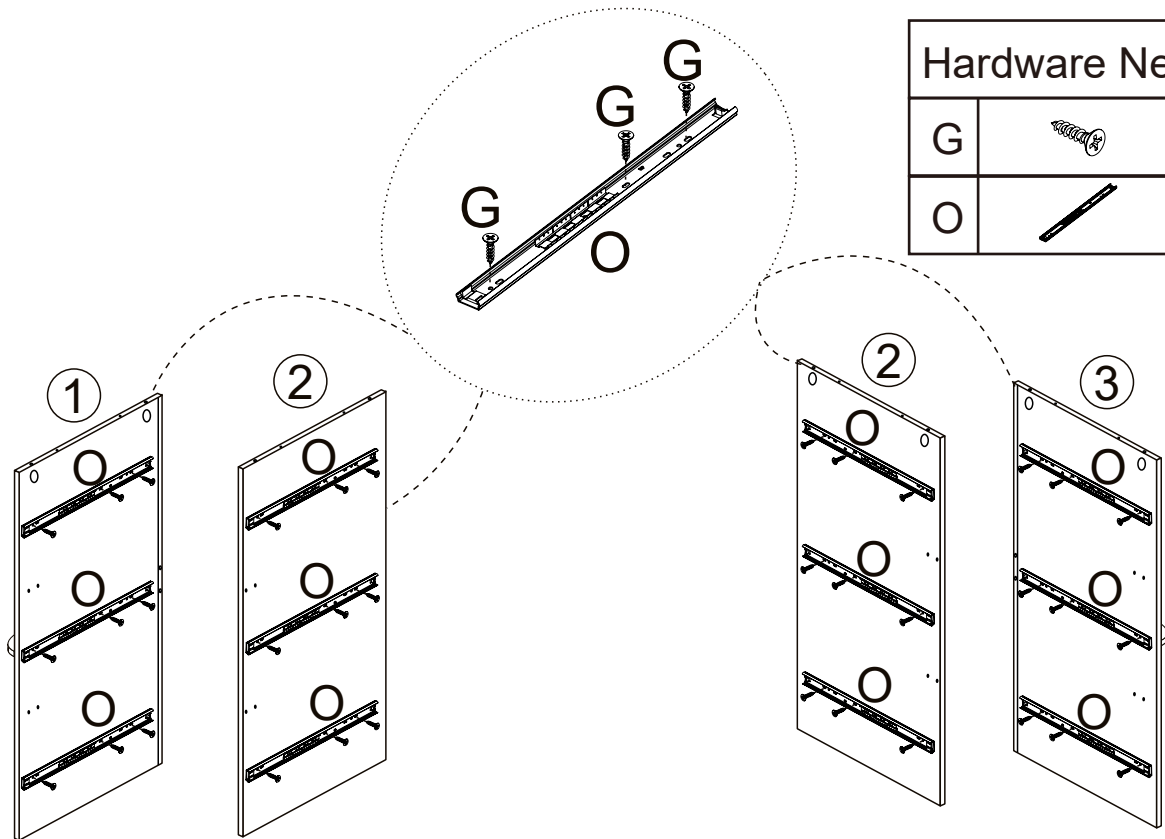
STEP 3:



- Connect panel 19 with side panel 1,3 by hardware C,D.



STEP 4:

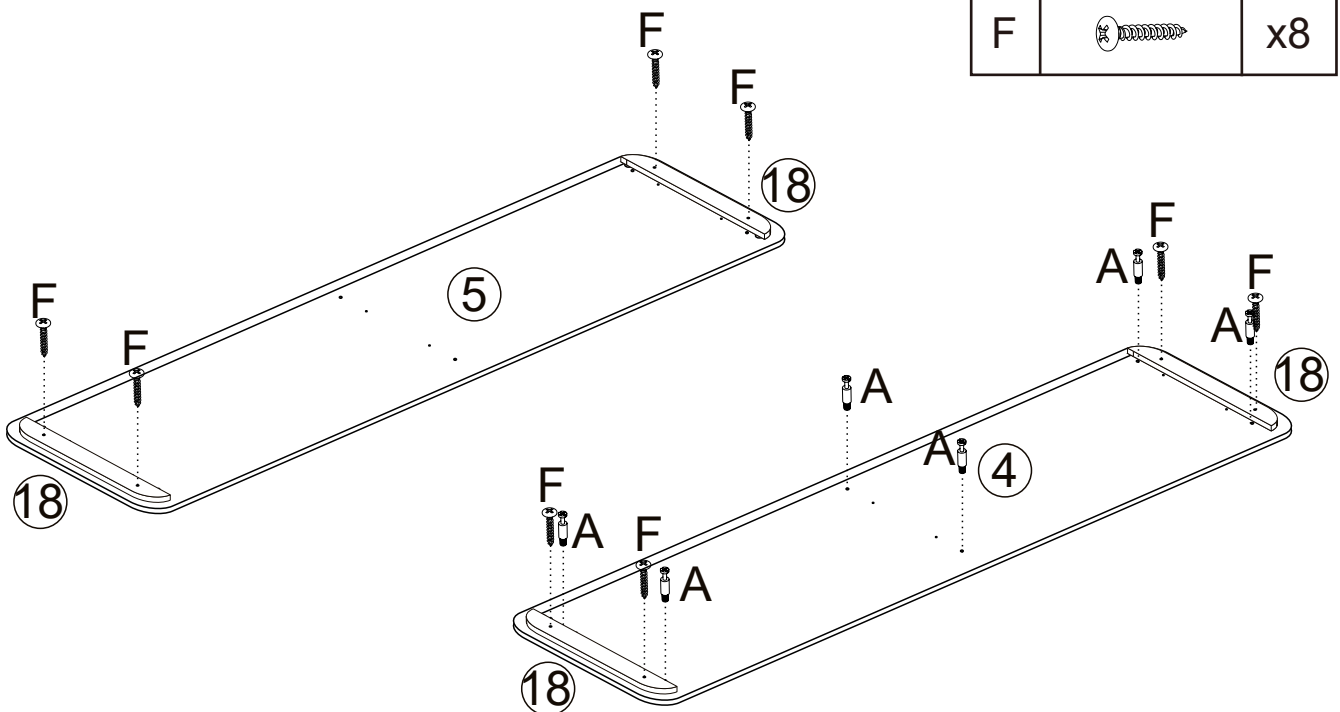
- Attach the runner O on left&right side panel 1,3 by hardware G.
- Attach the runner O on left&right of side panel 2 by hardware G.

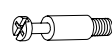



Hardware Needed		
G		x36
O		x12

STEP 5:

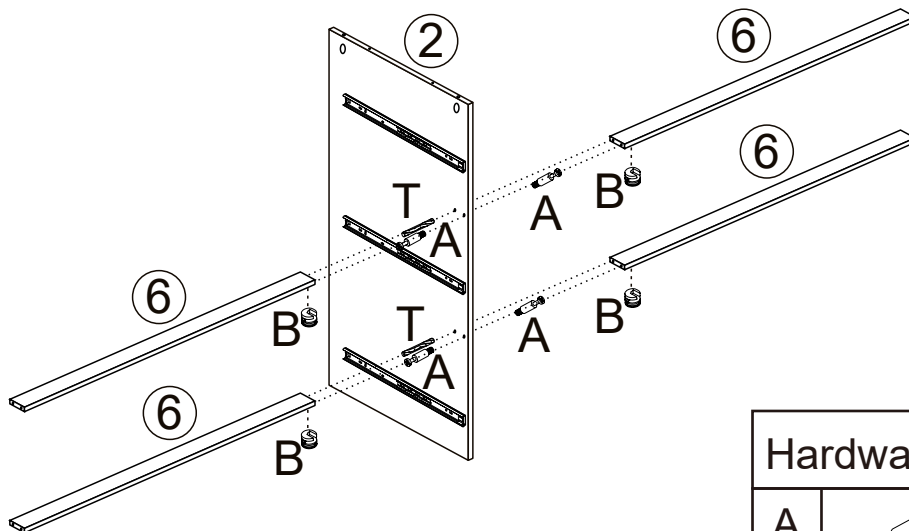
- Connect panel 18 with bottom panel 5 by hardware F.
- Connect panel 18 with top panel 4 by hardware F.
- Attach the hardware A on the top panel 4.

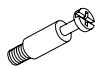




Hardware Needed		
A		x6
F		x8

STEP 6:

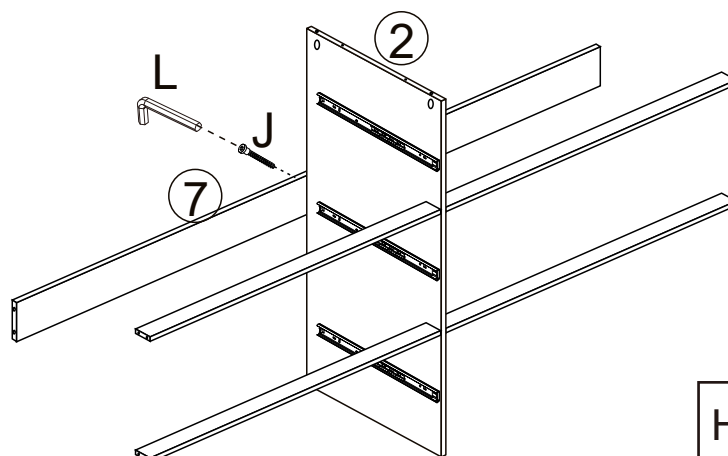
- Assemble four pieces panel 6 with middle side panel 2 by hardware A,B,T.

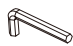



Hardware Needed		
A		x4
B		x4
T		x2

STEP 7:




- Attach the back rail 7 with middle side panel 2 by hardware J,L.

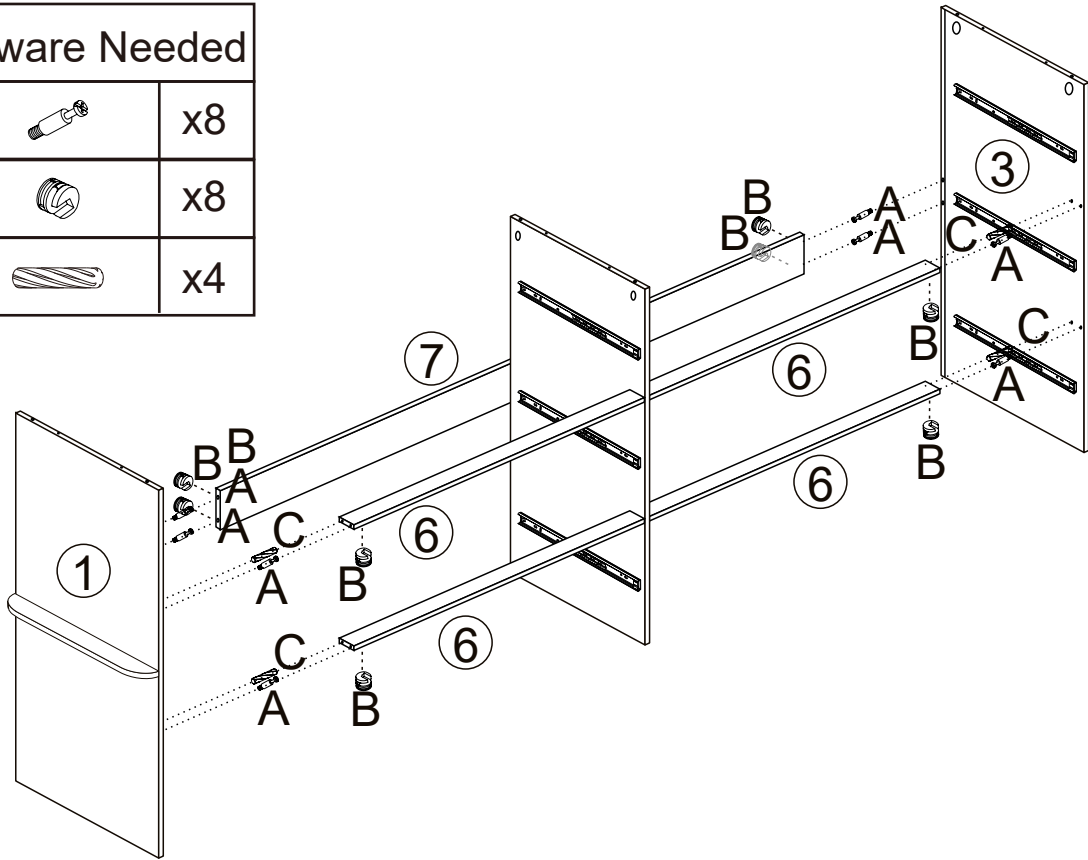


Hardware Needed		
L		x1
J		x1

STEP 8:

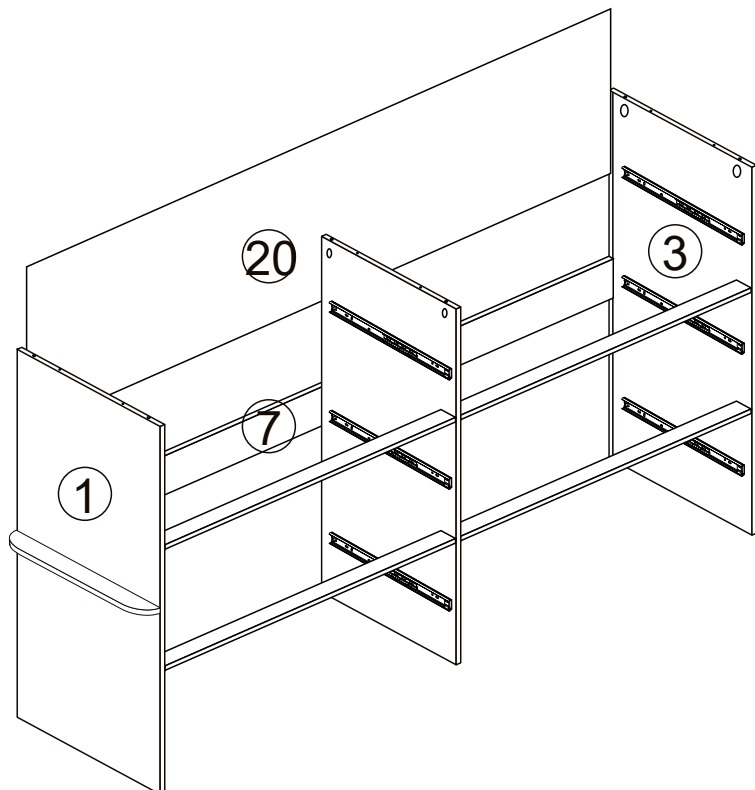
- Attach the side panel 1,3 with connect panel 6, back rail 7 by hardware A,B,C.

Hardware Needed		
A		x8
B		x8
C		x4



STEP 9:



- Insert the top back panel 20 with chest frame.

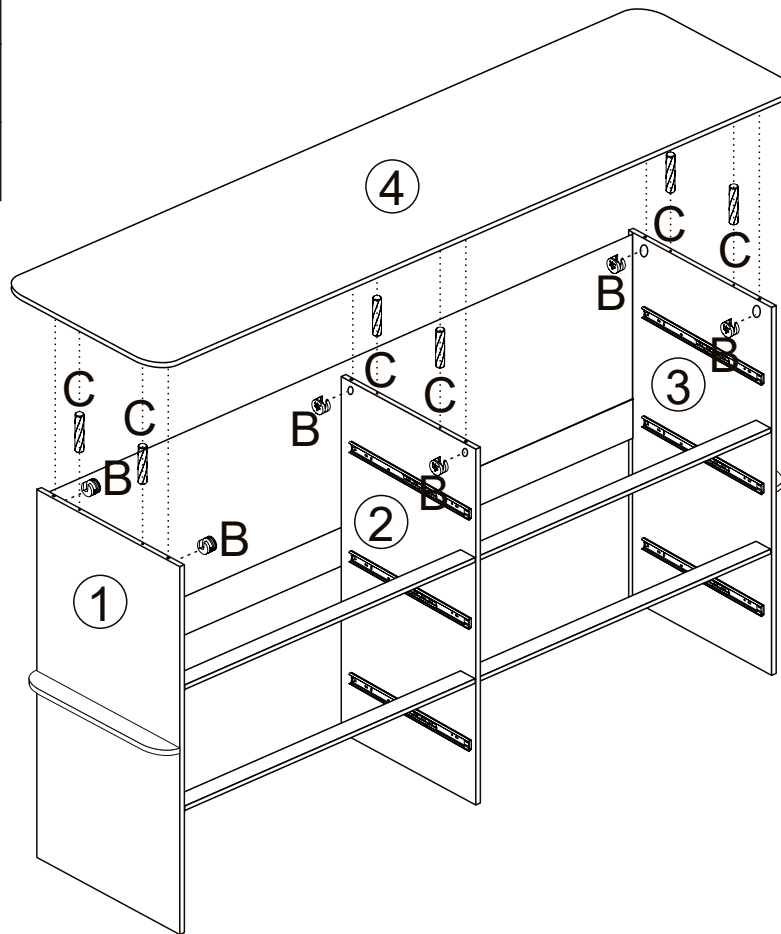


STEP 10:

- Attach the top panel 4 with the chest frame by hardware B,C.

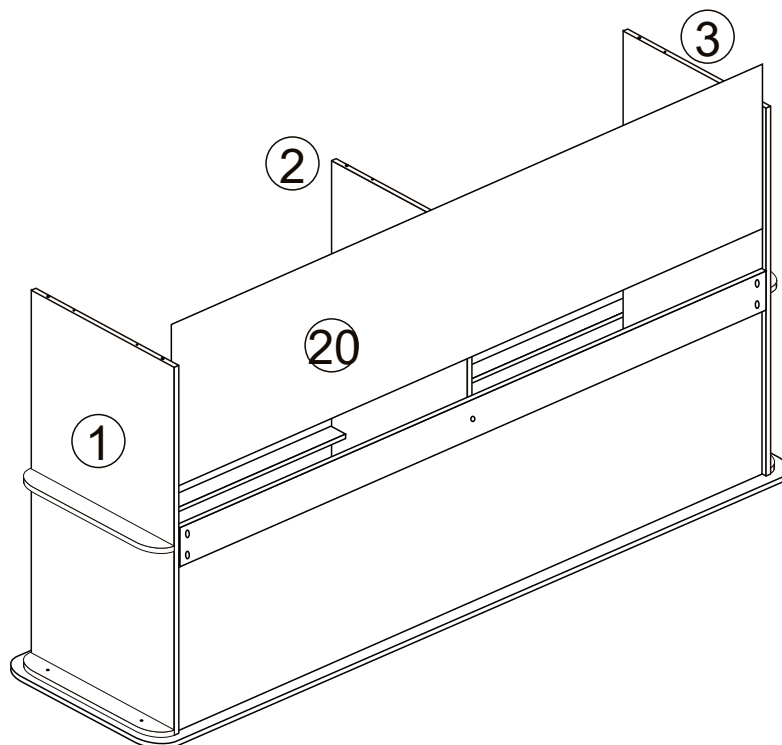
Hardware Needed

B		x6
C		x6



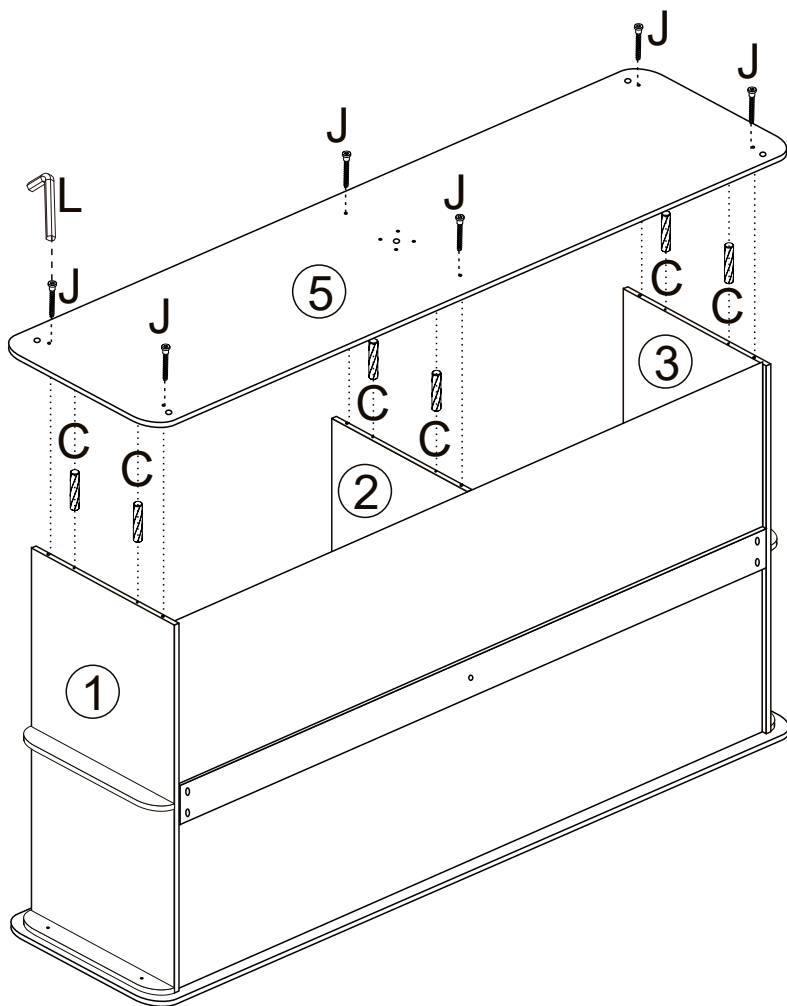
STEP 11:

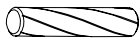
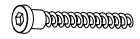
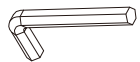
- Insert the back panel 20 with chest frame.



STEP 12:

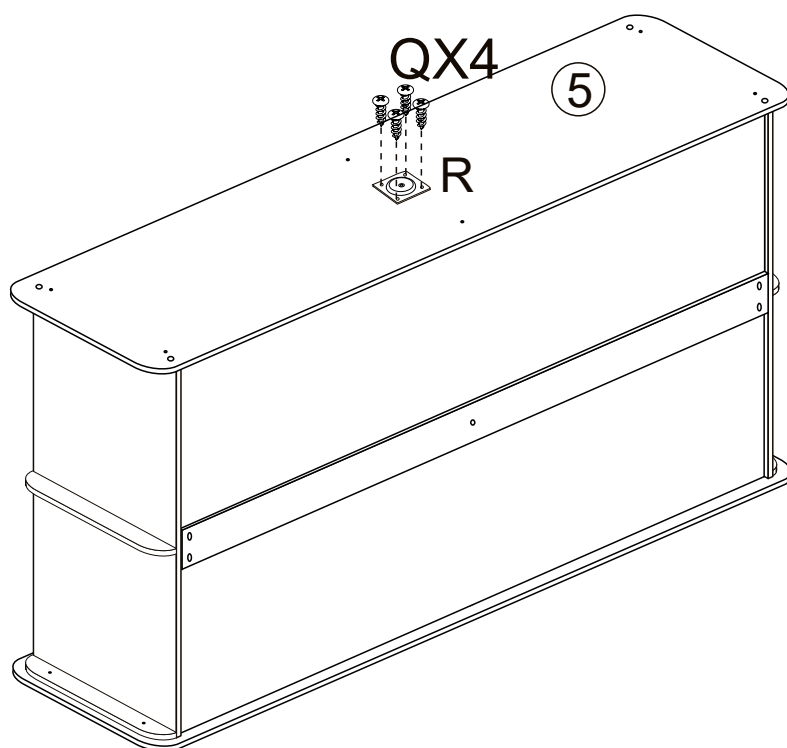
- Attach the bottom panel 5 with the chest frame by hardware C,J,L.


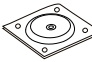


Hardware Needed		
C		x6
J		x6
L		x6

STEP 13:



- Attach the hardware R on the bottom panel 5 by hardware Q.

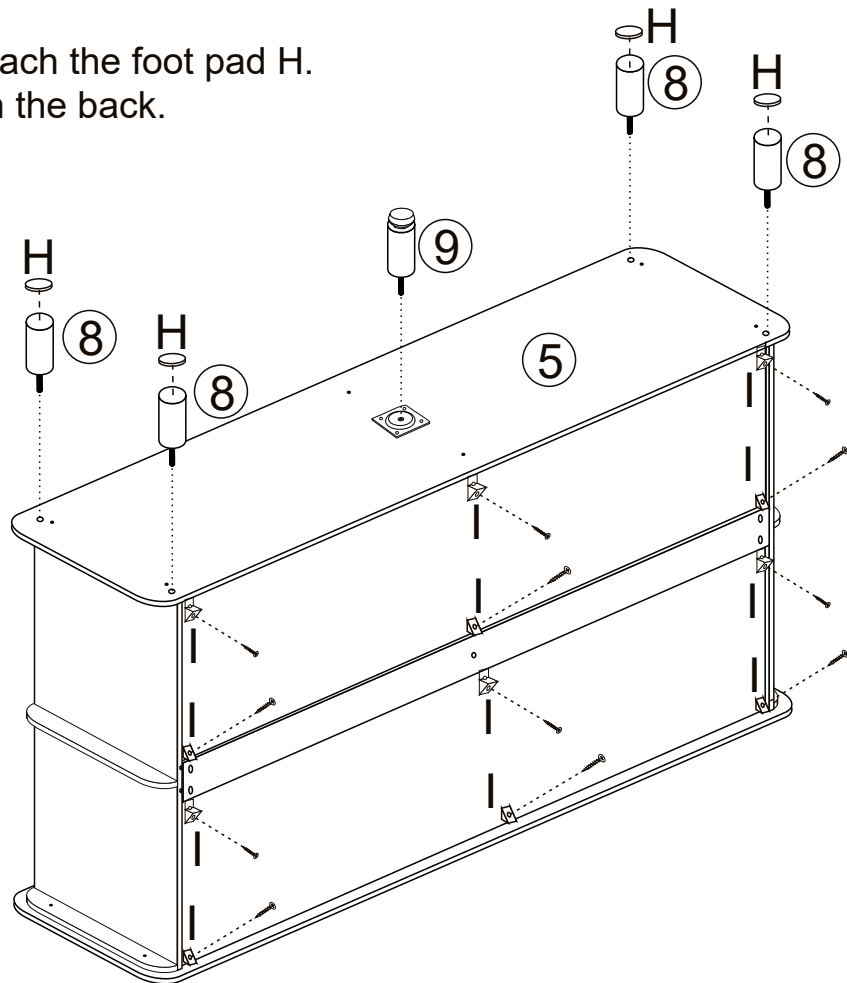


Hardware Needed		
Q		x4
R		x1

STEP 14:

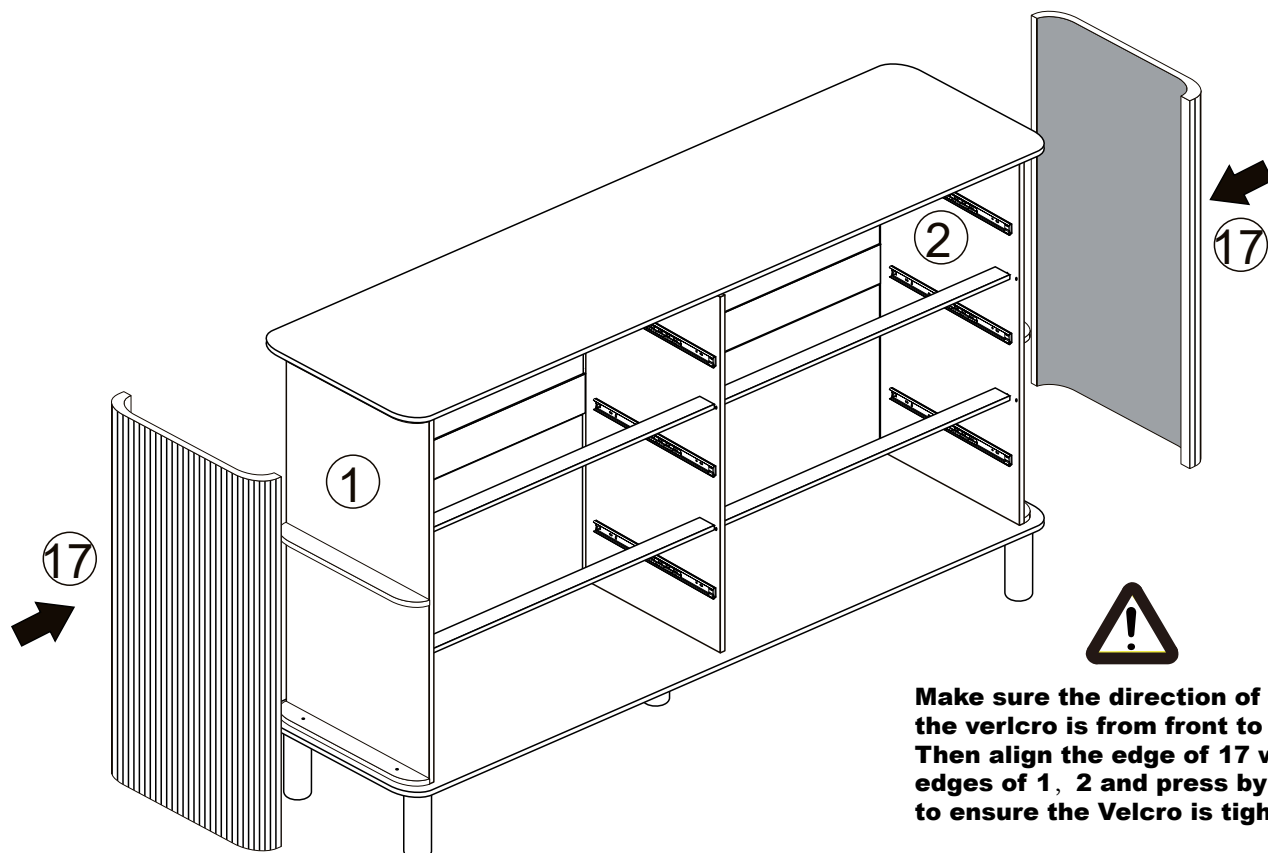
- Insert the leg 8,9. Then, attach the foot pad H.
- Attach the hardware (I) on the back.

Hardware Needed		
H		x4
I		x12



STEP 15:

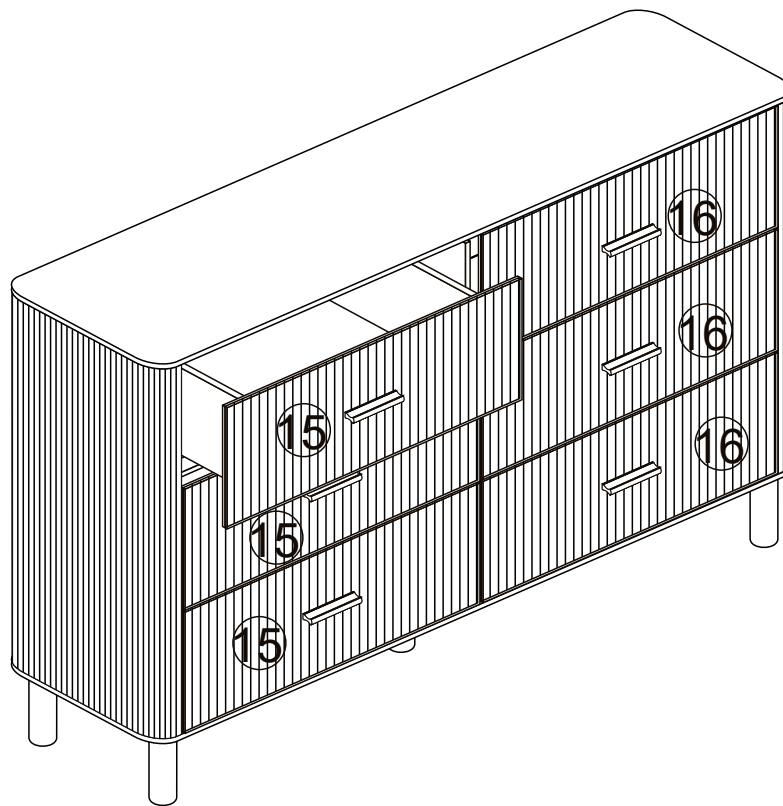
- Attach the side frame panel 17 and then press to make sure the velcro is sticking.



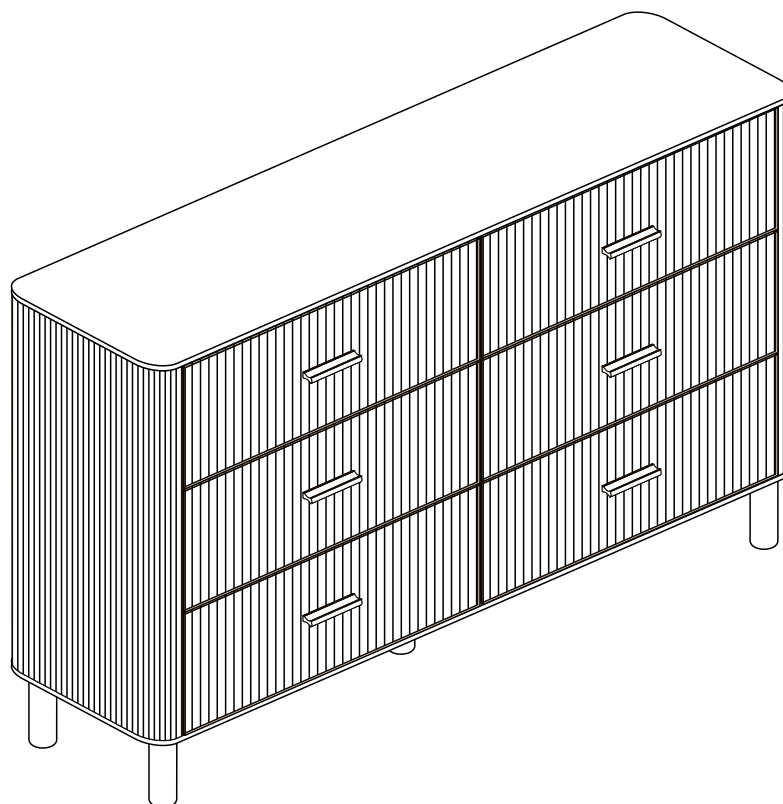
Make sure the direction of pasting the velcro is from front to back. Then align the edge of 17 with the edges of 1, 2 and press by hand to ensure the Velcro is tight.

STEP 16:

- Attach the drawers into the frame.



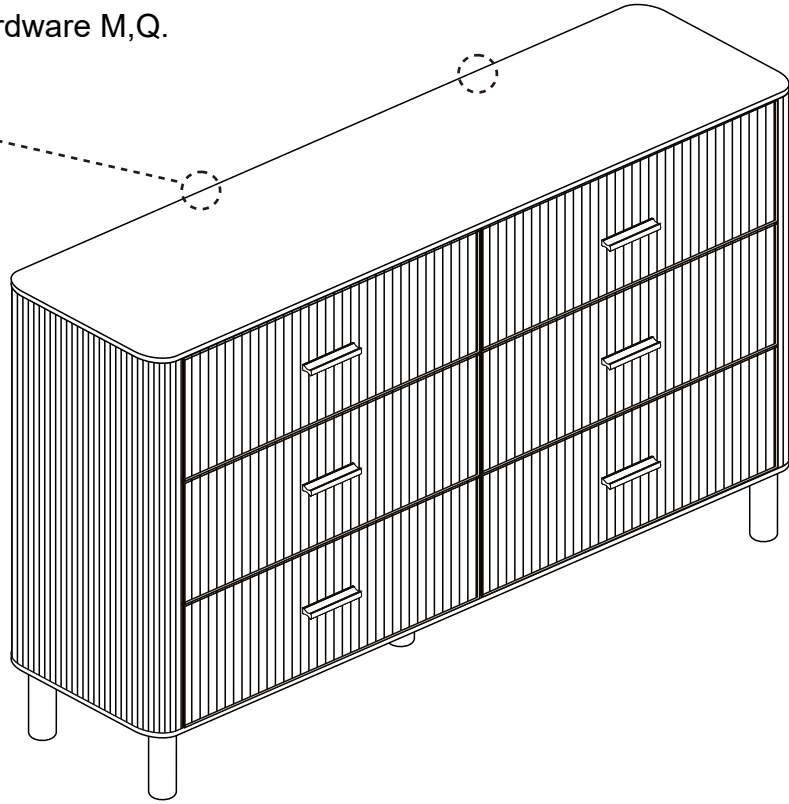
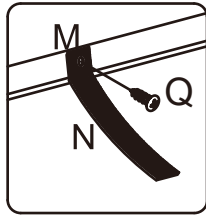
Finished






SAFETY BRACKETS INSTRUCTIONS

STEP 1:

- Secure the safty strap N by hardware M,Q.

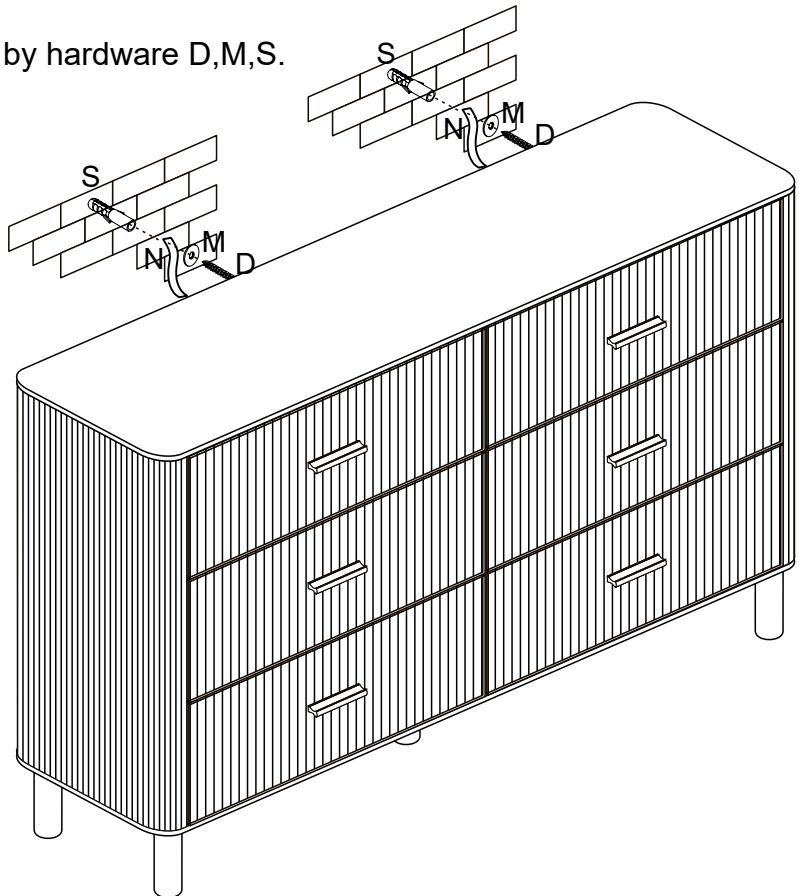
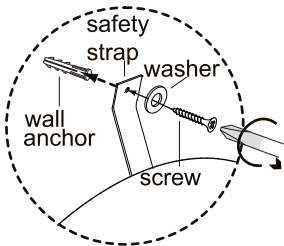


Hardware Needed

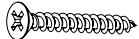


M		x2
N		x2
Q		x2

STEP 2:

- Secure the safty strap N onto wall by hardware D,M,S.



Hardware Needed

D		x2
M		x2
S		x2

PRODUCT CARE:

To protect your furniture, we suggest the following:

- Avoid placing your furniture in direct sunlight.
- Do not place furniture directly under windows.
- Do not place sharp materials (knife, fork, etc.) directly onto your furniture as sharp material may scrape and damage the finish.
- Do not place material with high temperature directly onto the surface of your furniture.
- Clean up spills quickly. Water left over a prolonged period of time may cause damage. Alcohol, perfume, nail polishes, aftershave and some medication may cause severe finish damage if not cleaned immediately.
- Use a clean, soft, dry, lint free absorbent cloth to clean your furniture. Do not use any detergent as they may contain ingredients that may react and damage the finish.